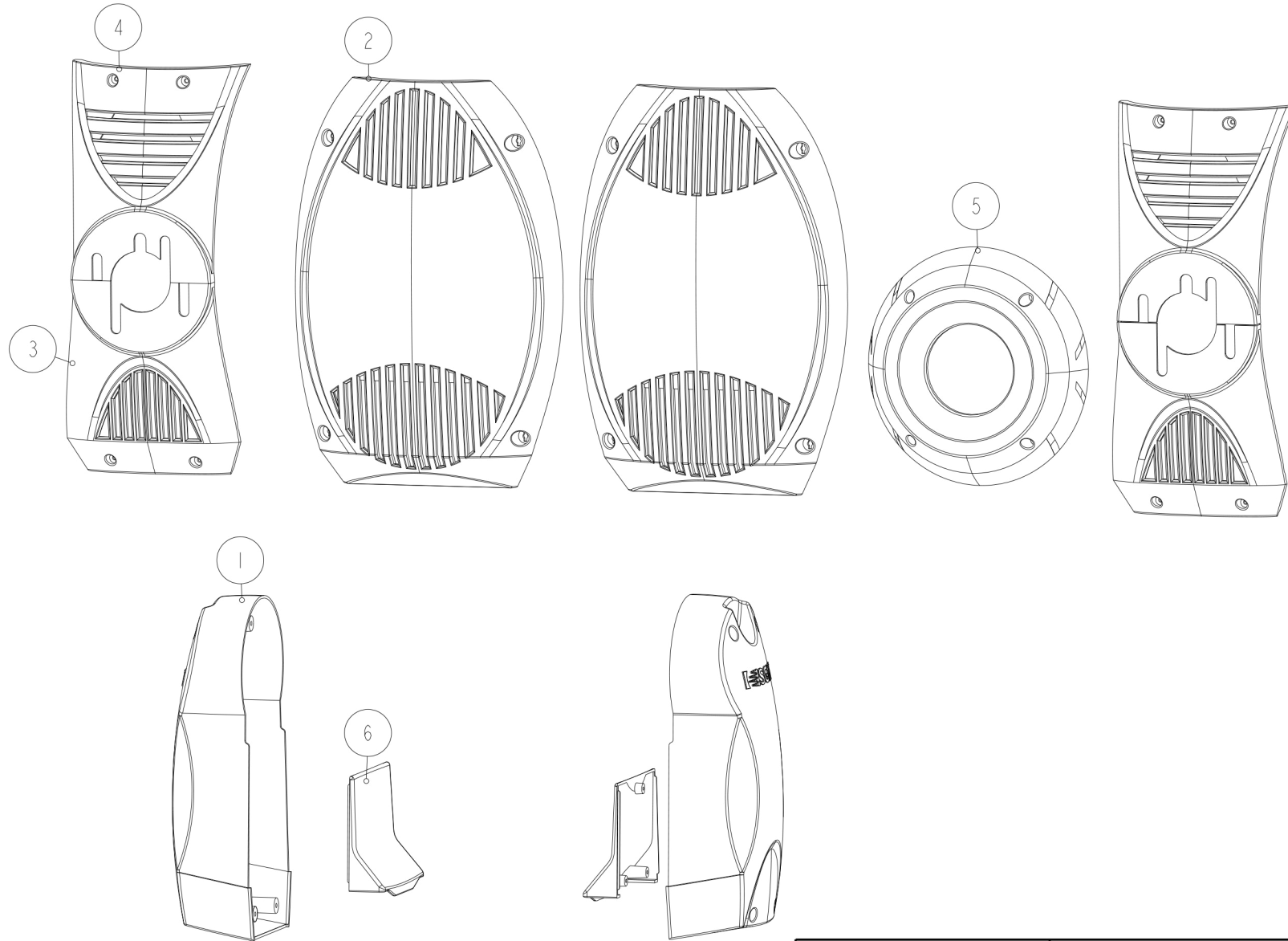
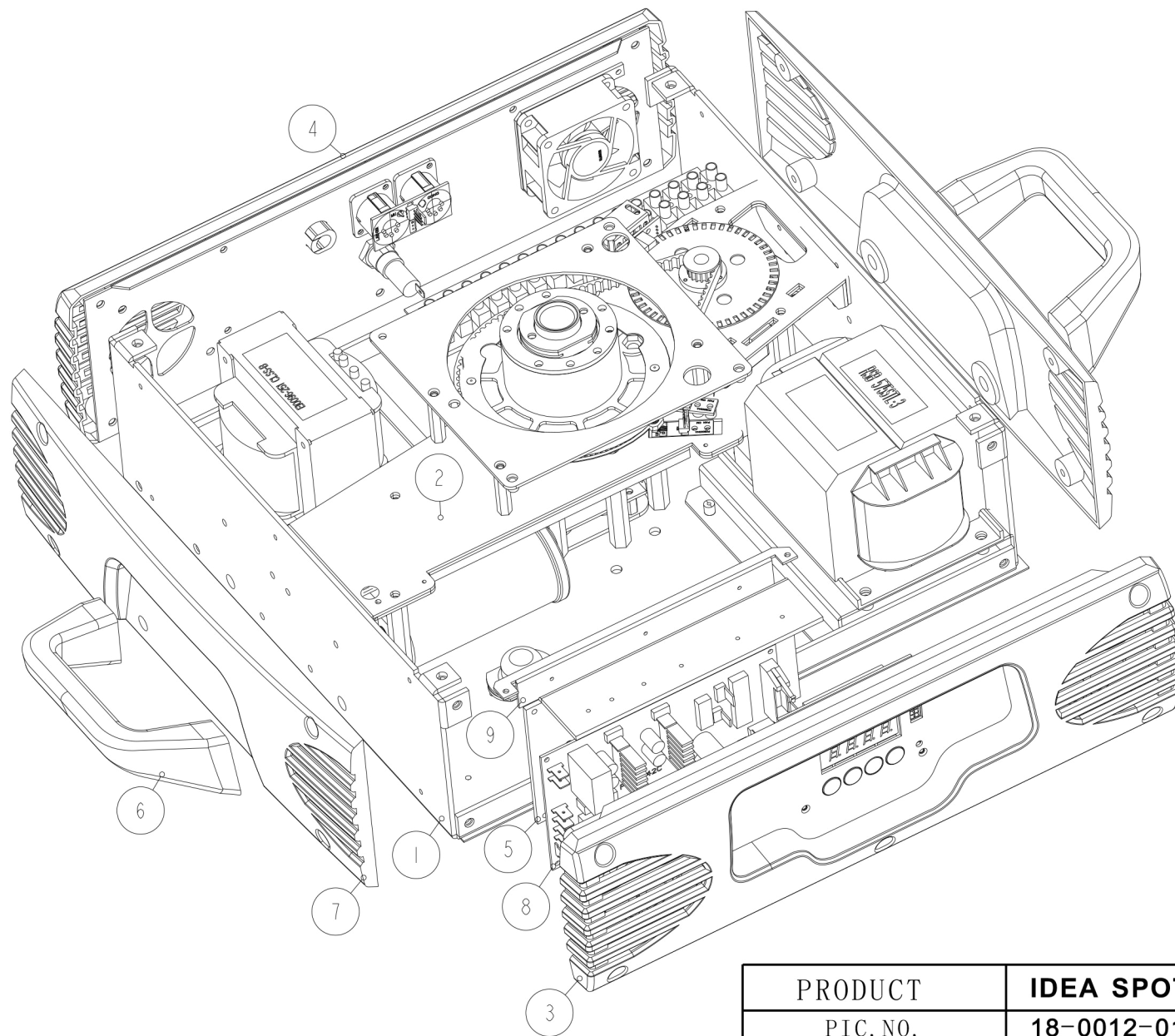


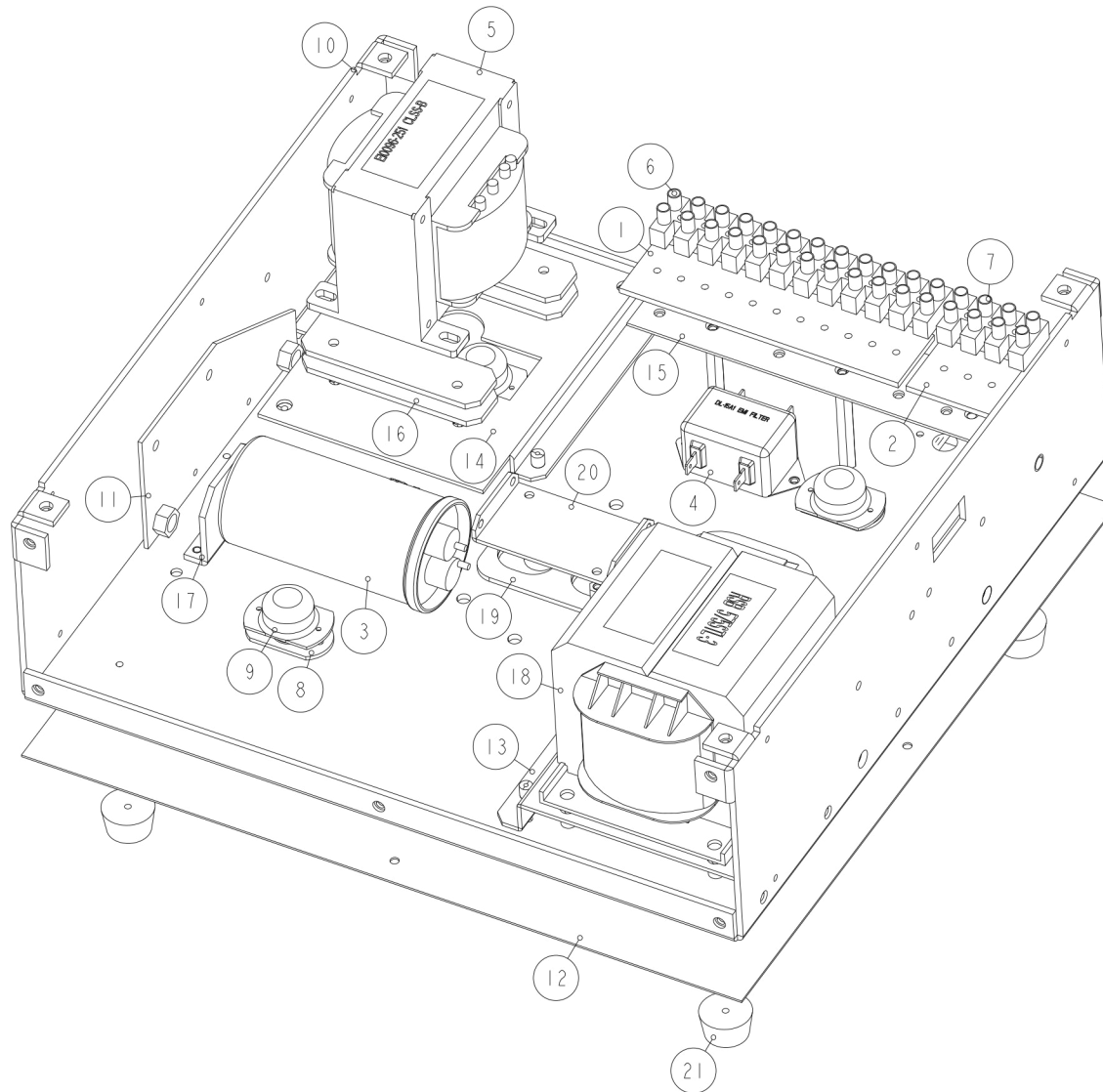
PRODUCT		IDEA SPOT 575			
PIC. NO.		18-0012-00-00-00			
EDIT		FILE NO.	GS-EXP-267A	PAGE NO.	1/30
CHECK		VERSION	NR	DATE	2007. 10. 10
APPROVE		ECN NO.		DATE	



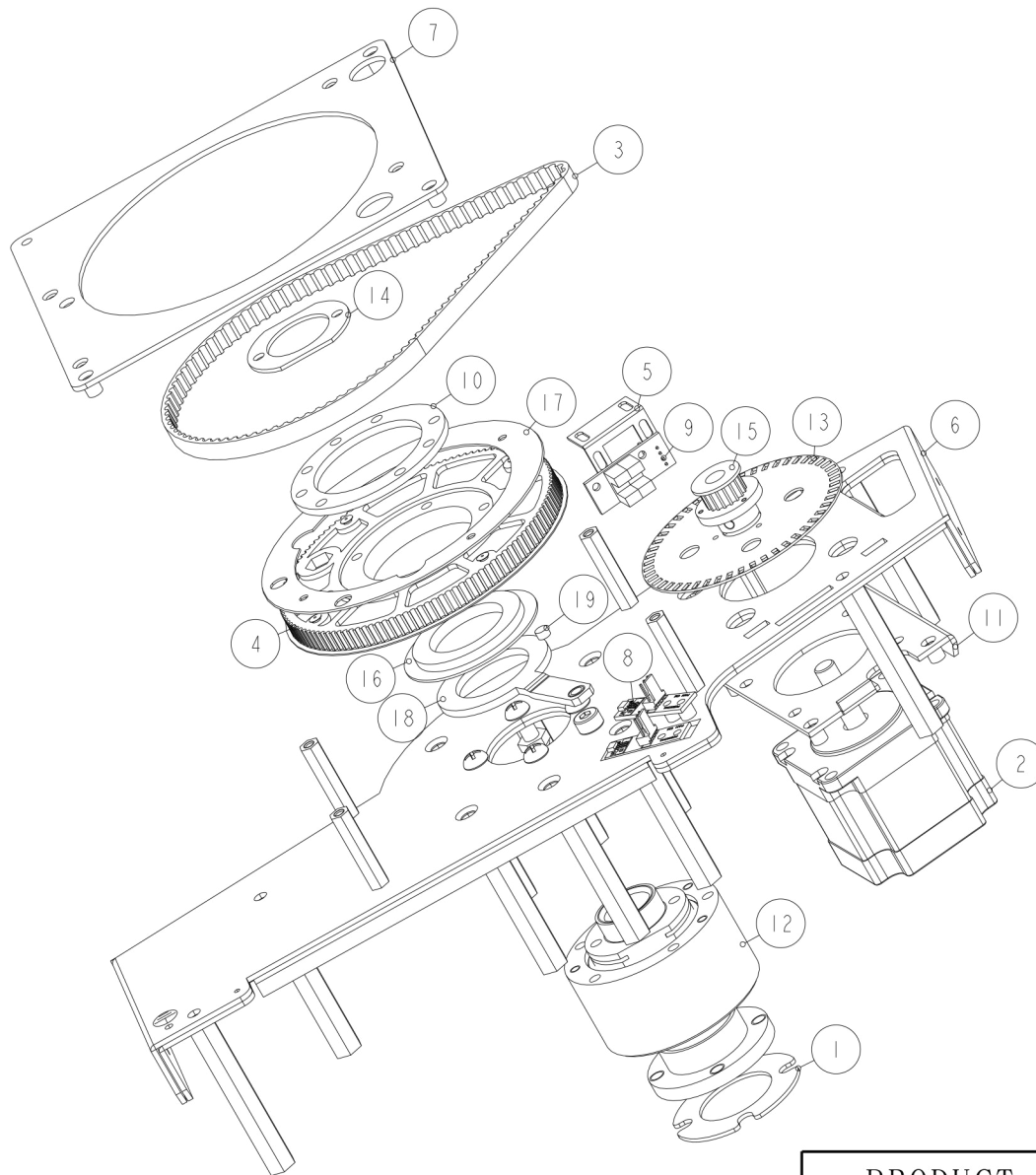
PRODUCT		IDEA SPOT 575			
PIC. NO.		18-0012-00-00-SJK			
EDIT		FILE NO.	GS-EXP-267A	PAGE NO.	2/30
CHECK		VERSION	NR	DATE	2007. 10. 10
APPROVE		ECN NO.		DATE	



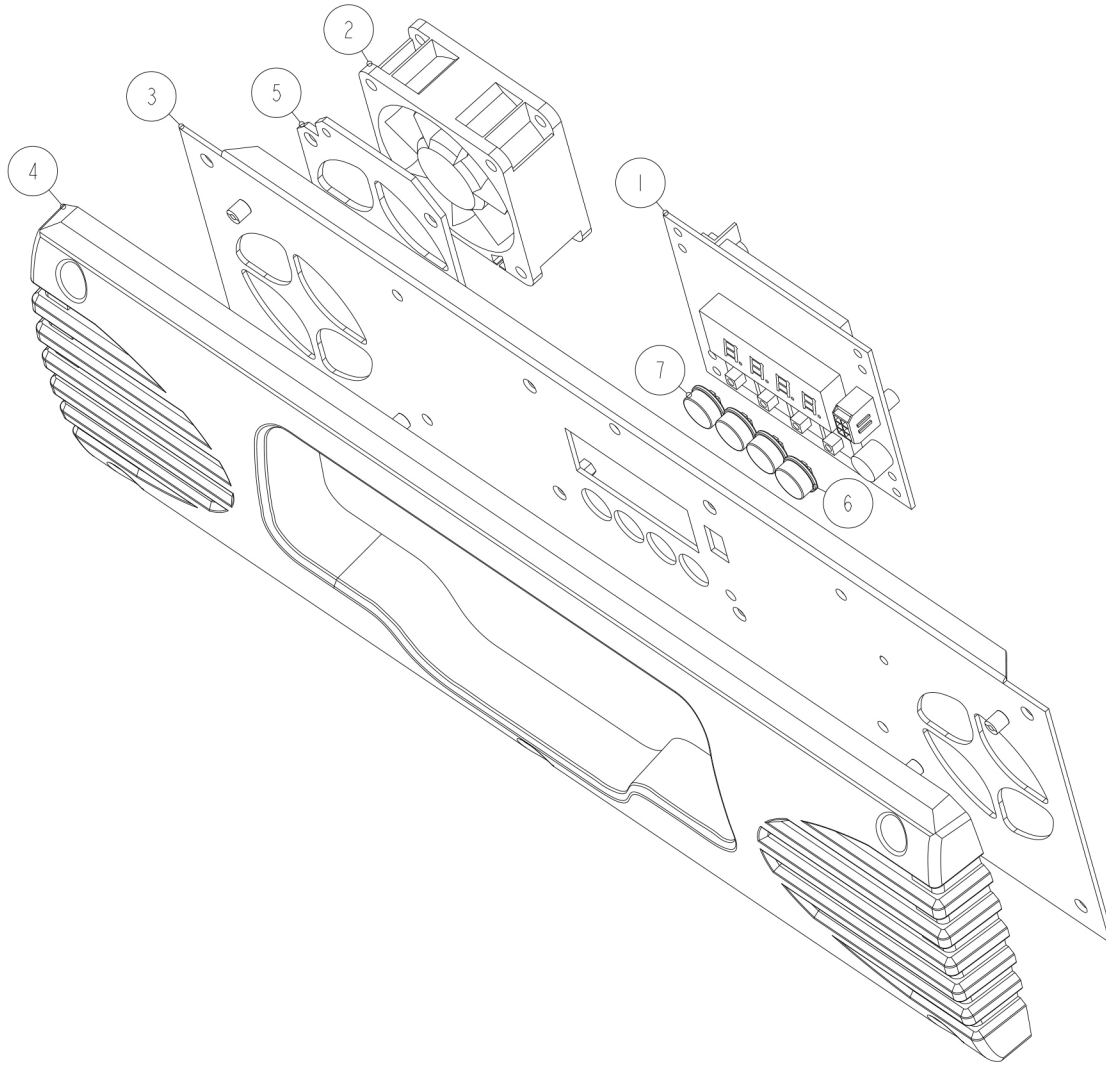
PRODUCT		IDEA SPOT 575			
PIC. NO.		18-0012-01-00-00			
EDIT		FILE NO.	GS-EXP-267A	PAGE NO.	3/30
CHECK		VERSION	NR	DATE	2007. 10. 10
APPROVE		ECN NO.		DATE	



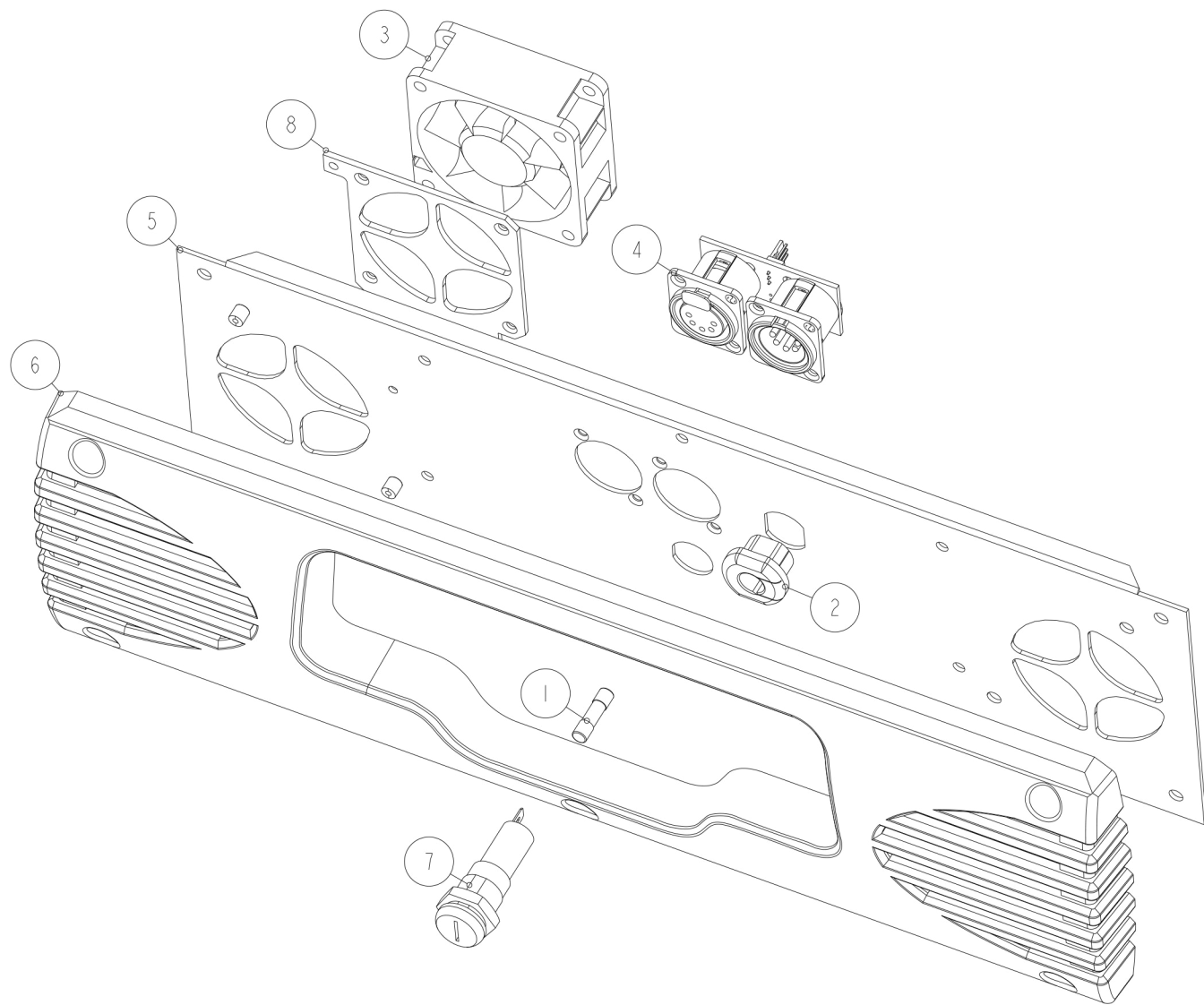
PRODUCT		IDEA SPOT 575			
PIC. NO.		18-0012-01-01-00			
EDIT		FILE NO.	GS-EXP-267A	PAGE NO.	4/30
CHECK		VERSION	NR	DATE	2007. 10. 10
APPROVE		ECN NO.		DATE	



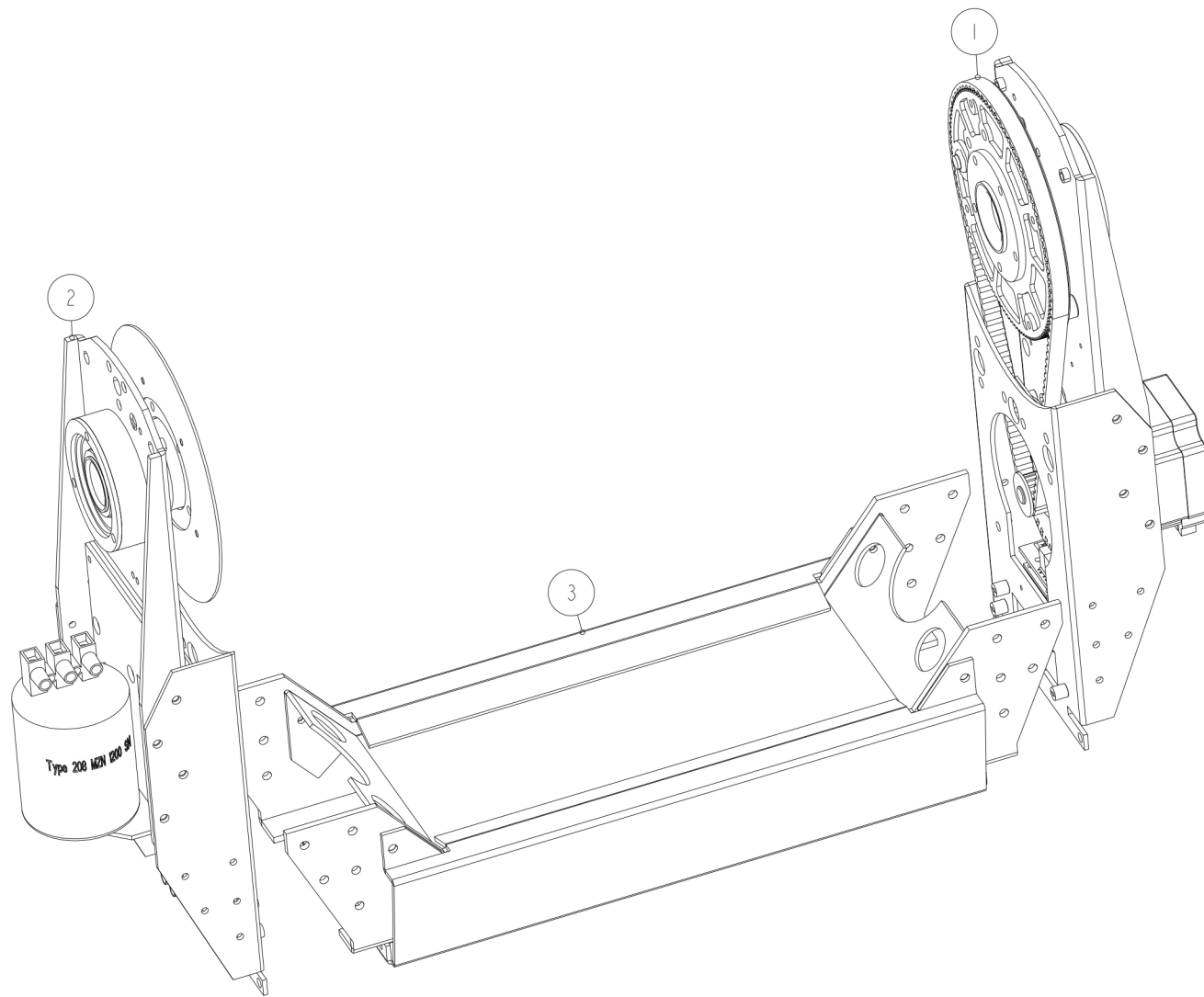
PRODUCT		IDEA SPOT 575			
PIC. NO.		18-0012-01-02-00			
EDIT		FILE NO.	GS-EXP-267A	PAGE NO.	5/30
CHECK		VERSION	NR	DATE	2007. 10. 10
APPROVE		ECN NO.		DATE	



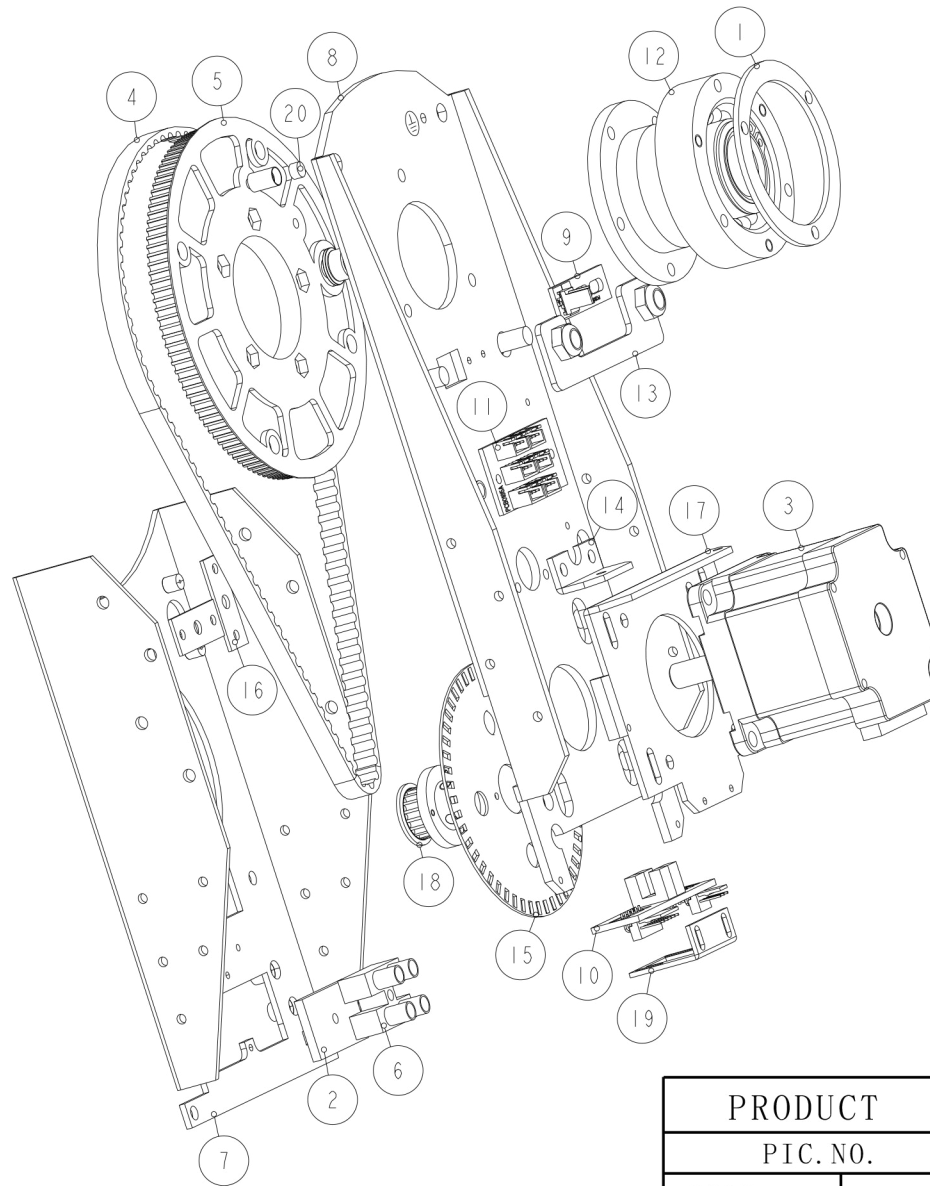
PRODUCT		IDEA SPOT 575			
PIC. NO.		18-0012-01-03-00			
EDIT		FILE NO.	GS-EXP-267A	PAGE NO.	6/30
CHECK		VERSION	NR	DATE	2007. 10. 10
APPROVE		ECN NO.		DATE	



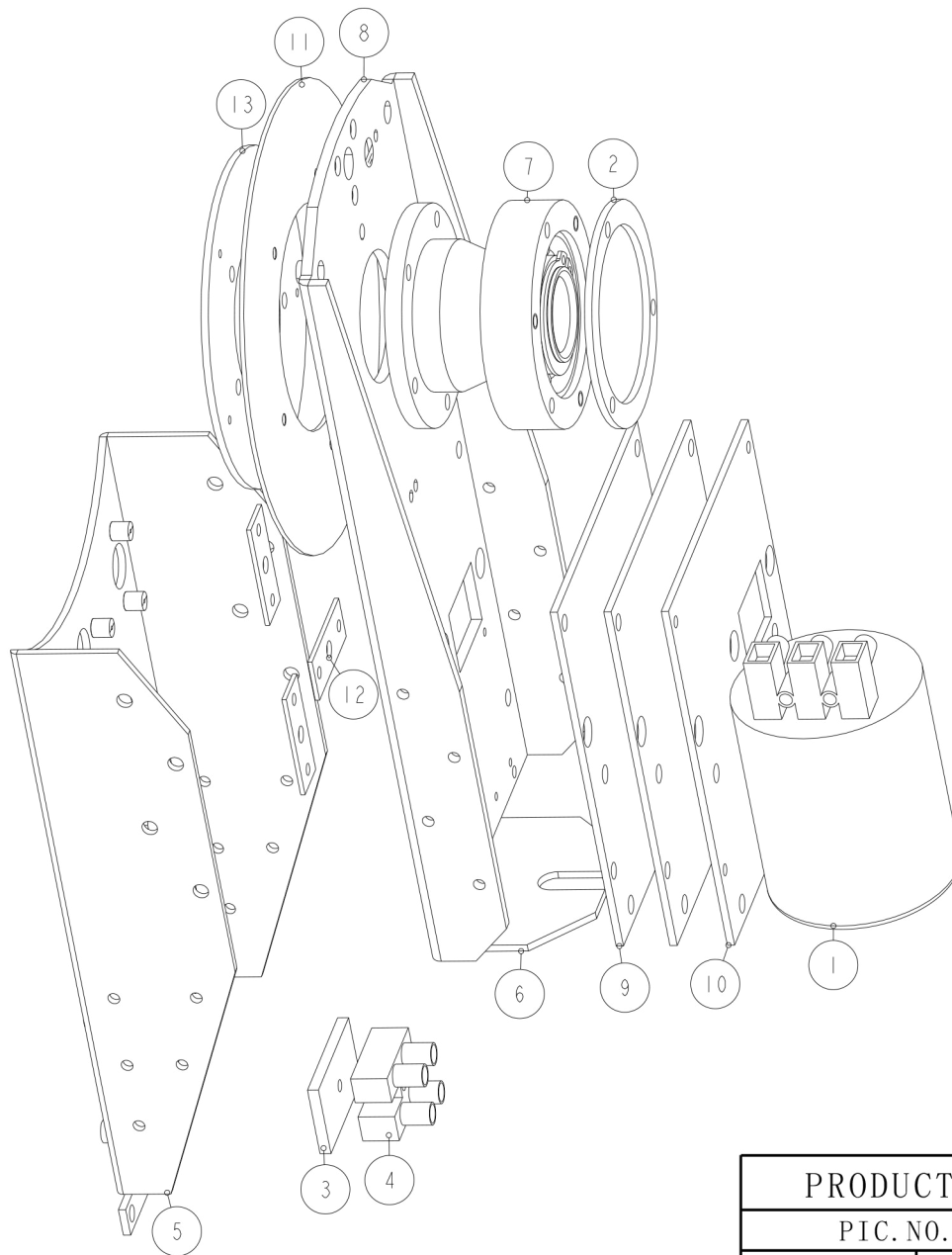
PRODUCT		IDEA SPOT 575			
PIC. NO.		18-0012-01-04-00			
EDIT		FILE NO.	GS-EXP-267A	PAGE NO.	7/30
CHECK		VERSION	NR	DATE	2007. 10. 10
APPROVE		ECN NO.		DATE	



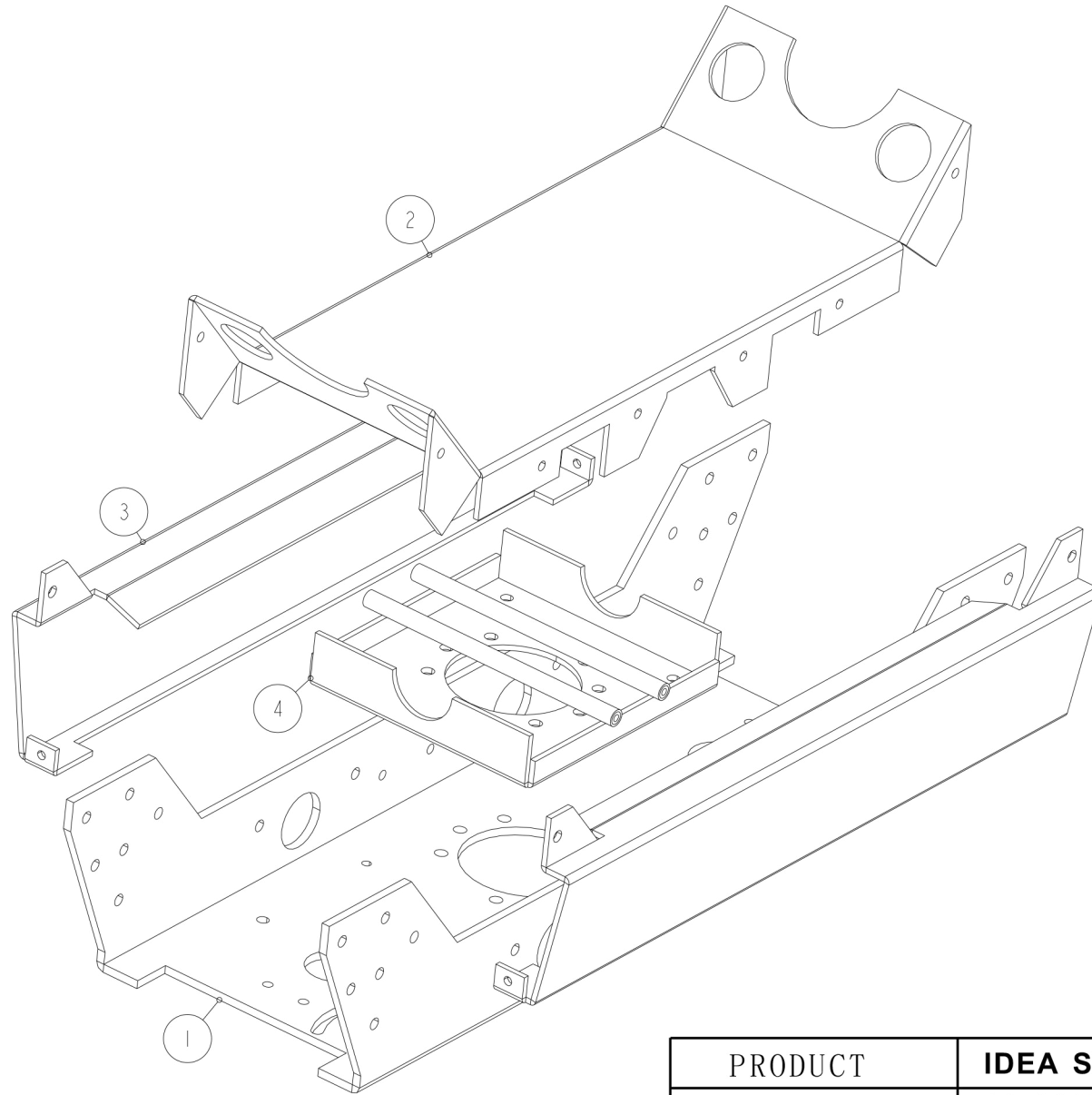
PRODUCT		IDEA SPOT 575			
PIC. NO.		18-0012-03-00-00			
EDIT		FILE NO.	GS-EXP-267A	PAGE NO.	8/30
CHECK		VERSION	NR	DATE	2007. 10. 10
APPROVE		ECN NO.		DATE	



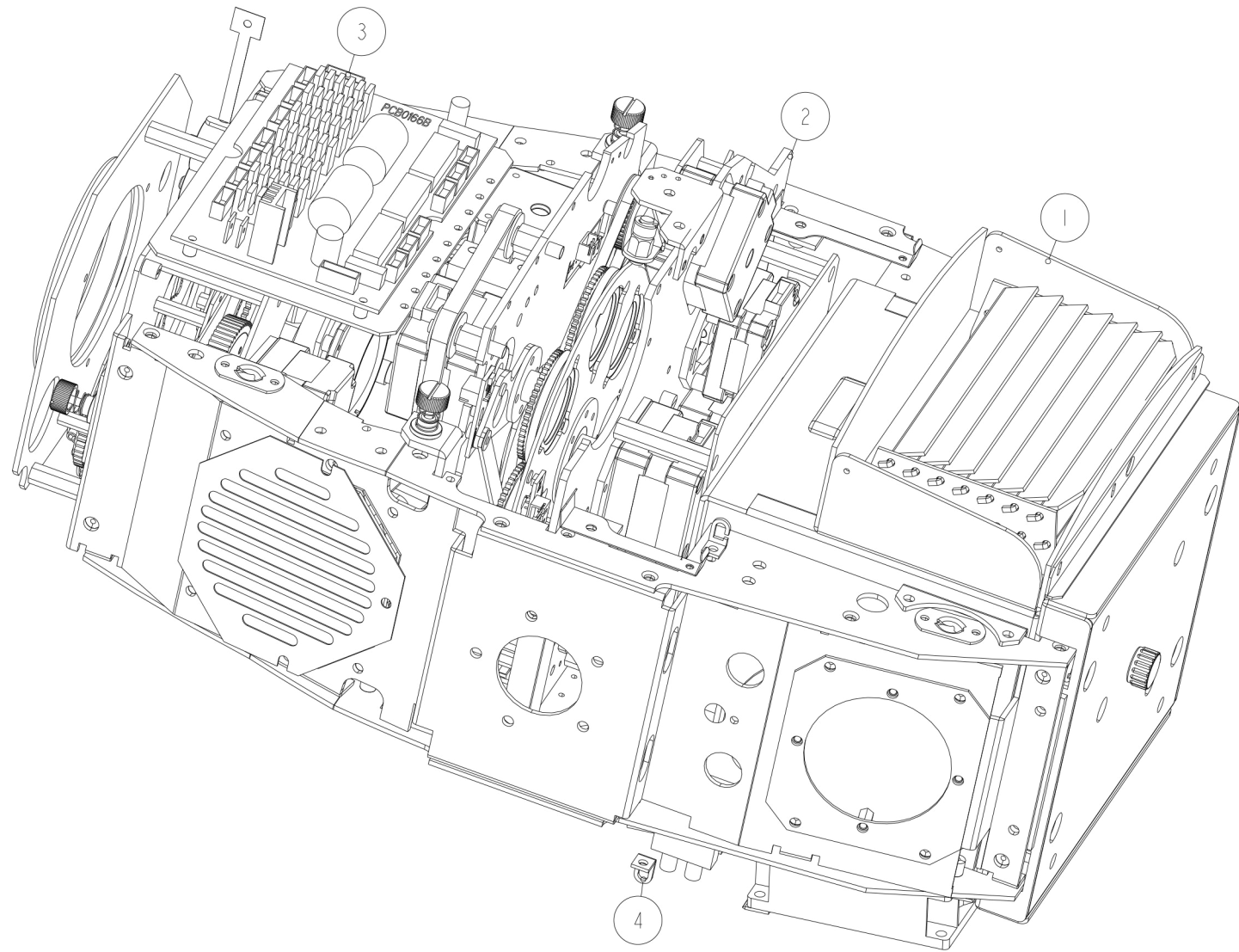
PRODUCT		IDEA SPOT 575			
PIC. NO.		18-0012-03-01-00			
EDIT		FILE NO.	GS-EXP-267A	PAGE NO.	9/30
CHECK		VERSION	NR	DATE	2007. 10. 10
APPROVE		ECN NO.		DATE	



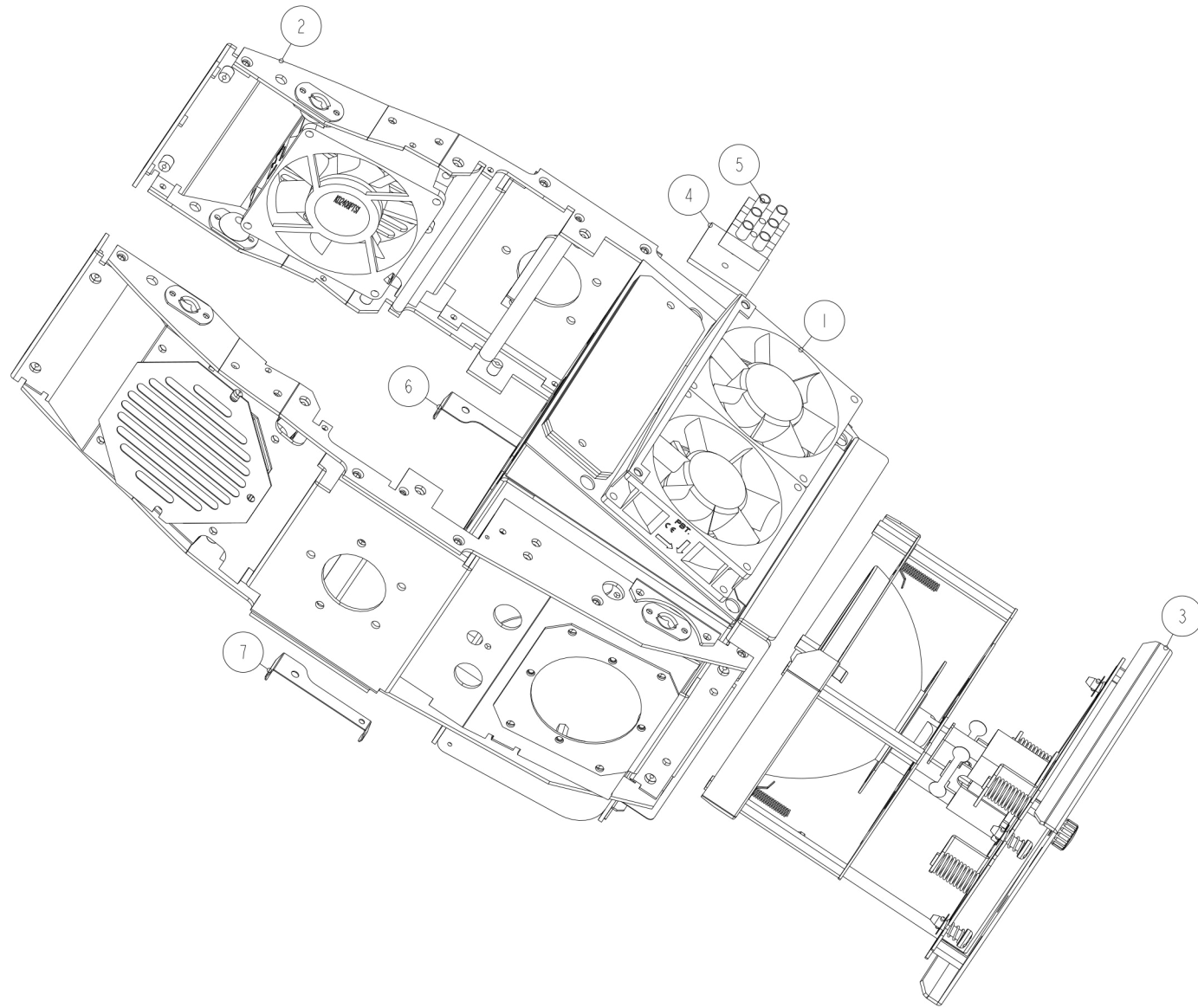
PRODUCT		IDEA SPOT 575			
PIC. NO.		18-0012-03-02-00			
EDIT		FILE NO.	GS-EXP-267A	PAGE NO.	10/30
CHECK		VERSION	NR	DATE	2007. 10. 10
APPROVE		ECN NO.		DATE	



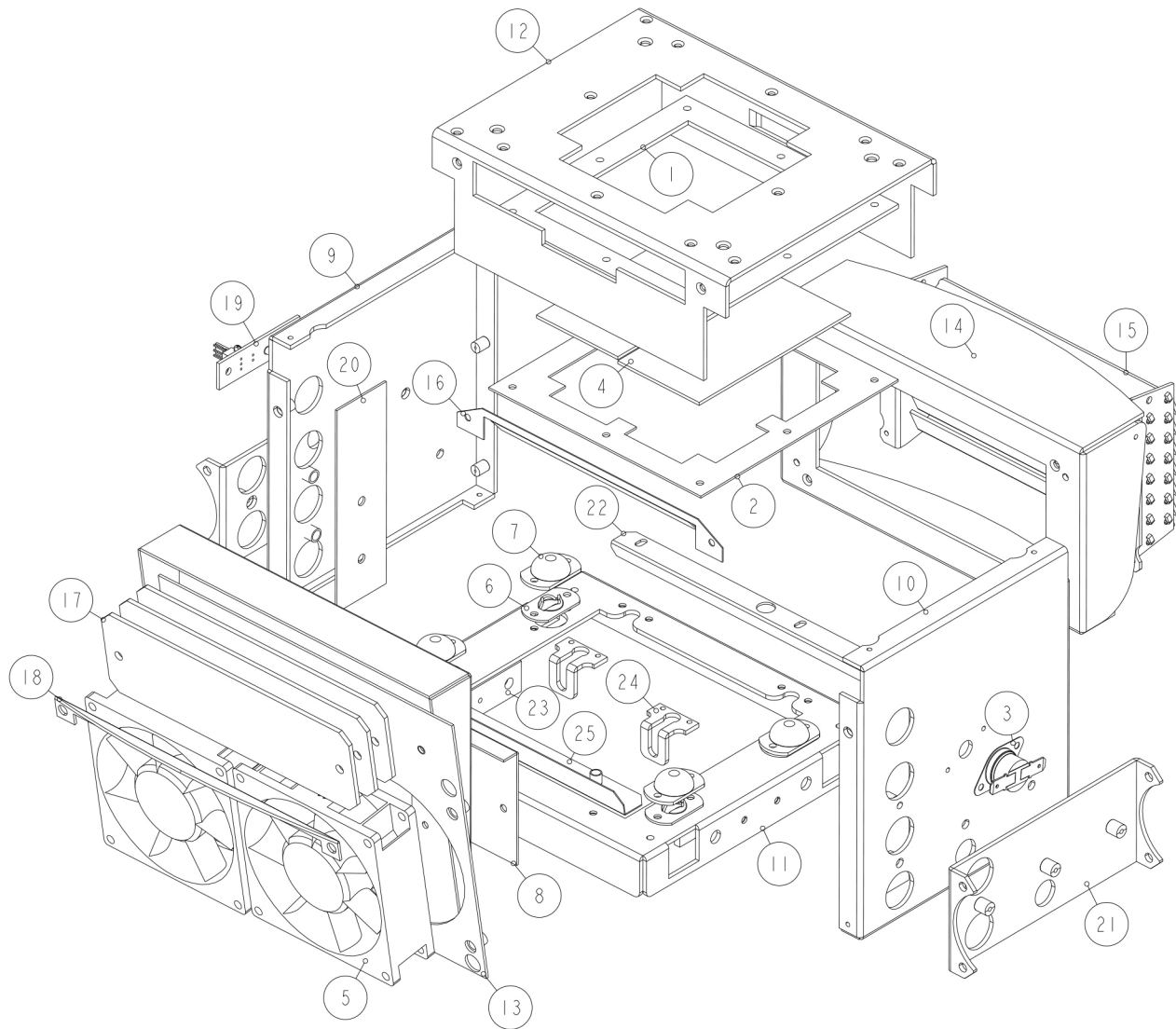
PRODUCT		IDEA SPOT 575			
PIC. NO.		18-0012-03-03-00			
EDIT		FILE NO.	GS-EXP-267A	PAGE NO.	11/30
CHECK		VERSION	NR	DATE	2007. 10. 10
APPROVE		ECN NO.		DATE	



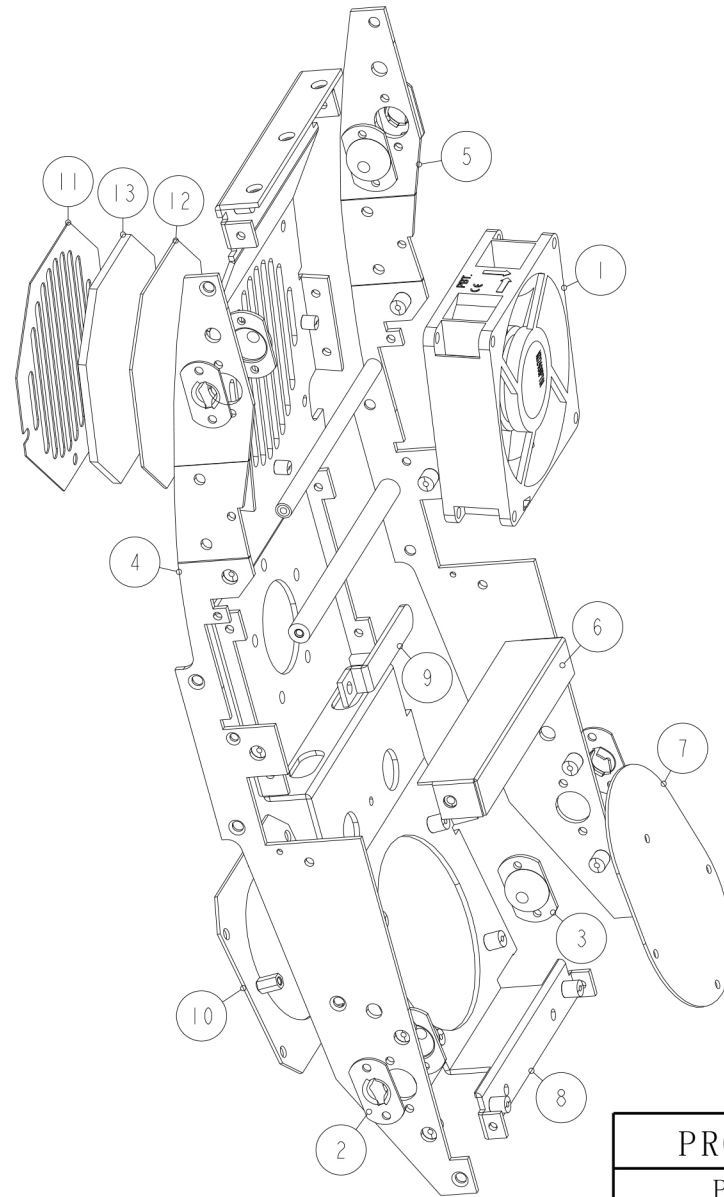
PRODUCT		IDEA SPOT 575			
PIC. NO.		18-0012-04-00-00			
EDIT		FILE NO.	GS-EXP-267A	PAGE NO.	12/30
CHECK		VERSION	NR	DATE	2007. 10. 10
APPROVE		ECN NO.		DATE	



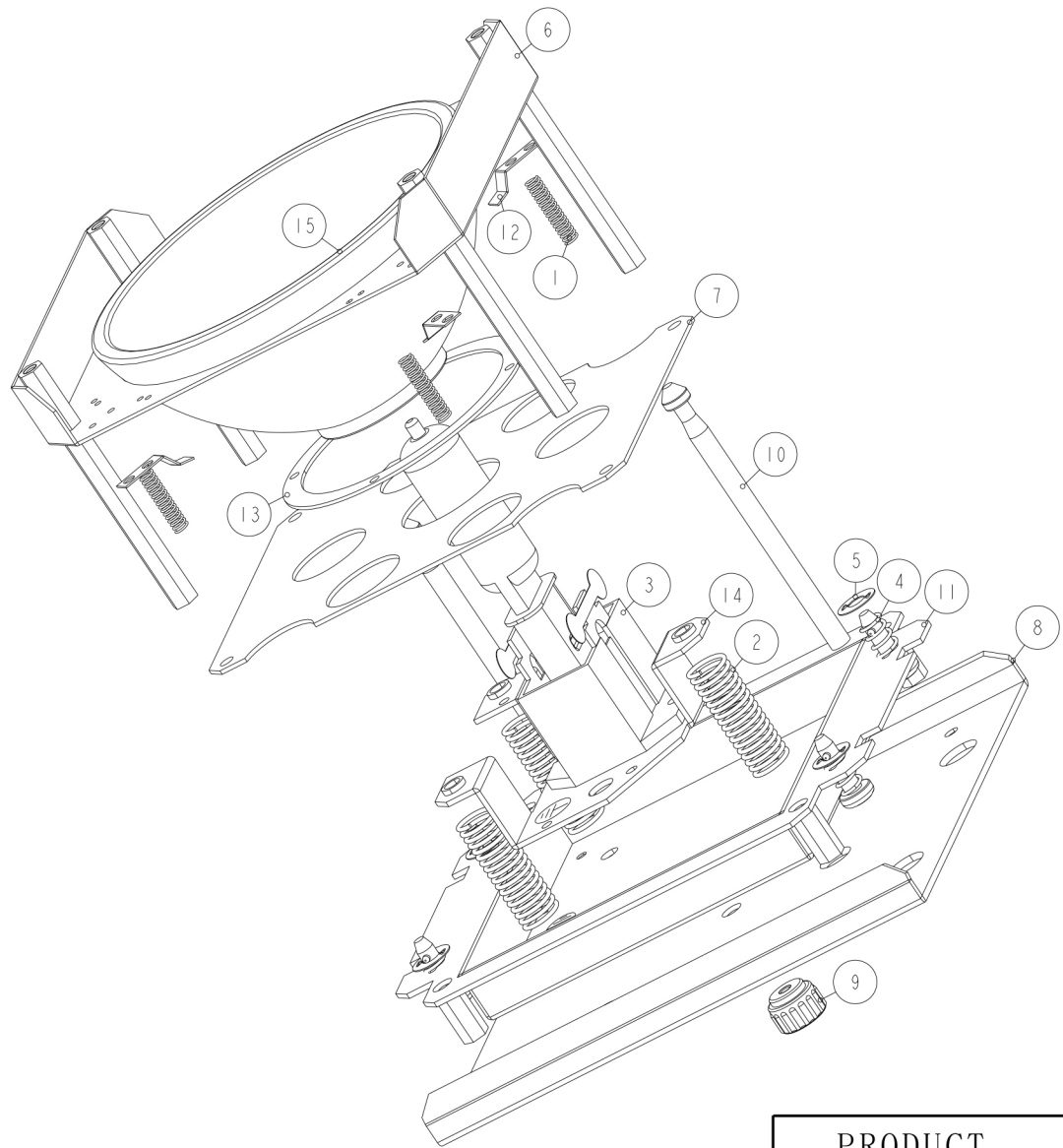
PRODUCT		IDEA SPOT 575			
PIC. NO.		18-0012-04-01-00			
EDIT		FILE NO.	GS-EXP-267A	PAGE NO.	13/30
CHECK		VERSION	NR	DATE	2007. 10. 10
APPROVE		ECN NO.		DATE	



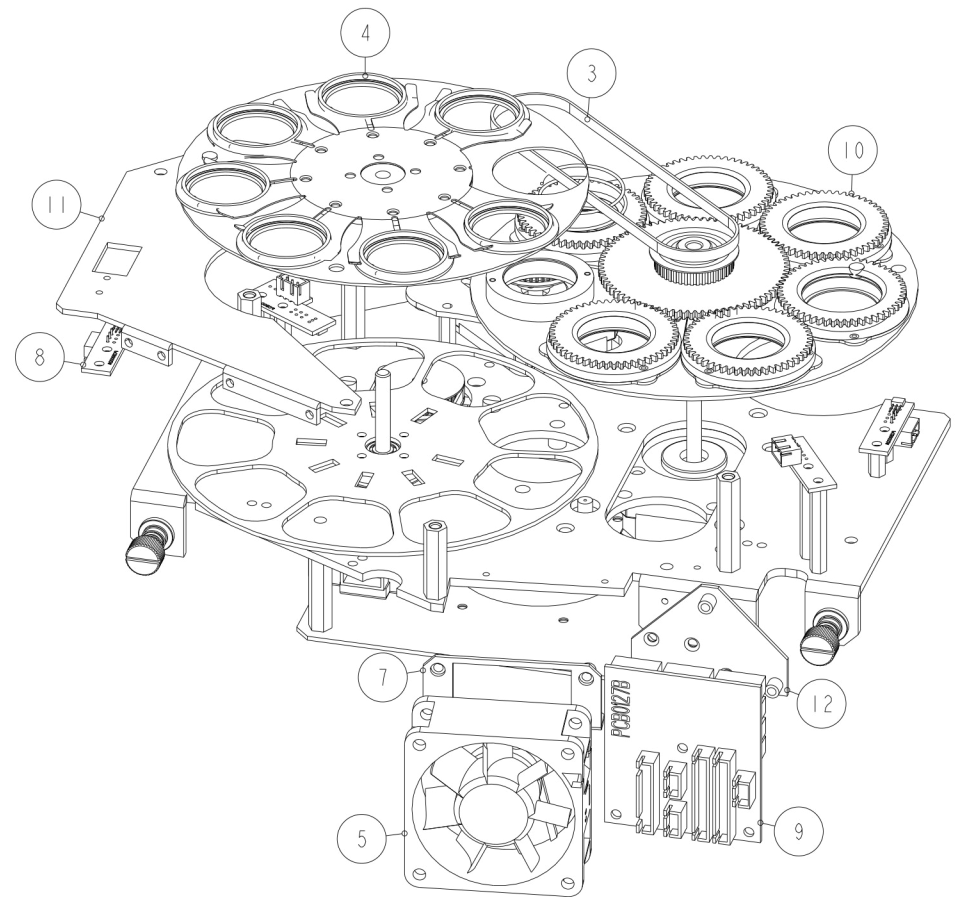
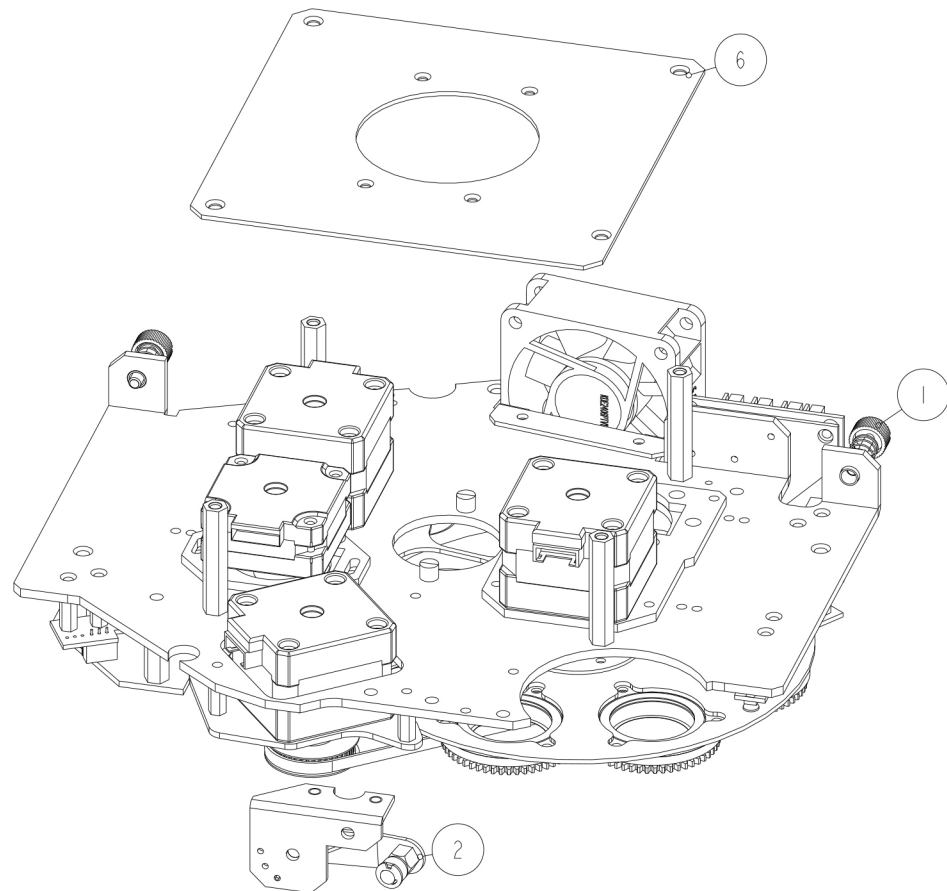
PRODUCT		IDEA SPOT 575			
PIC. NO.		18-0012-04-01-01			
EDIT		FILE NO.	GS-EXP-267A	PAGE NO.	14/30
CHECK		VERSION	NR	DATE	2007. 10. 10
APPROVE		ECN NO.		DATE	



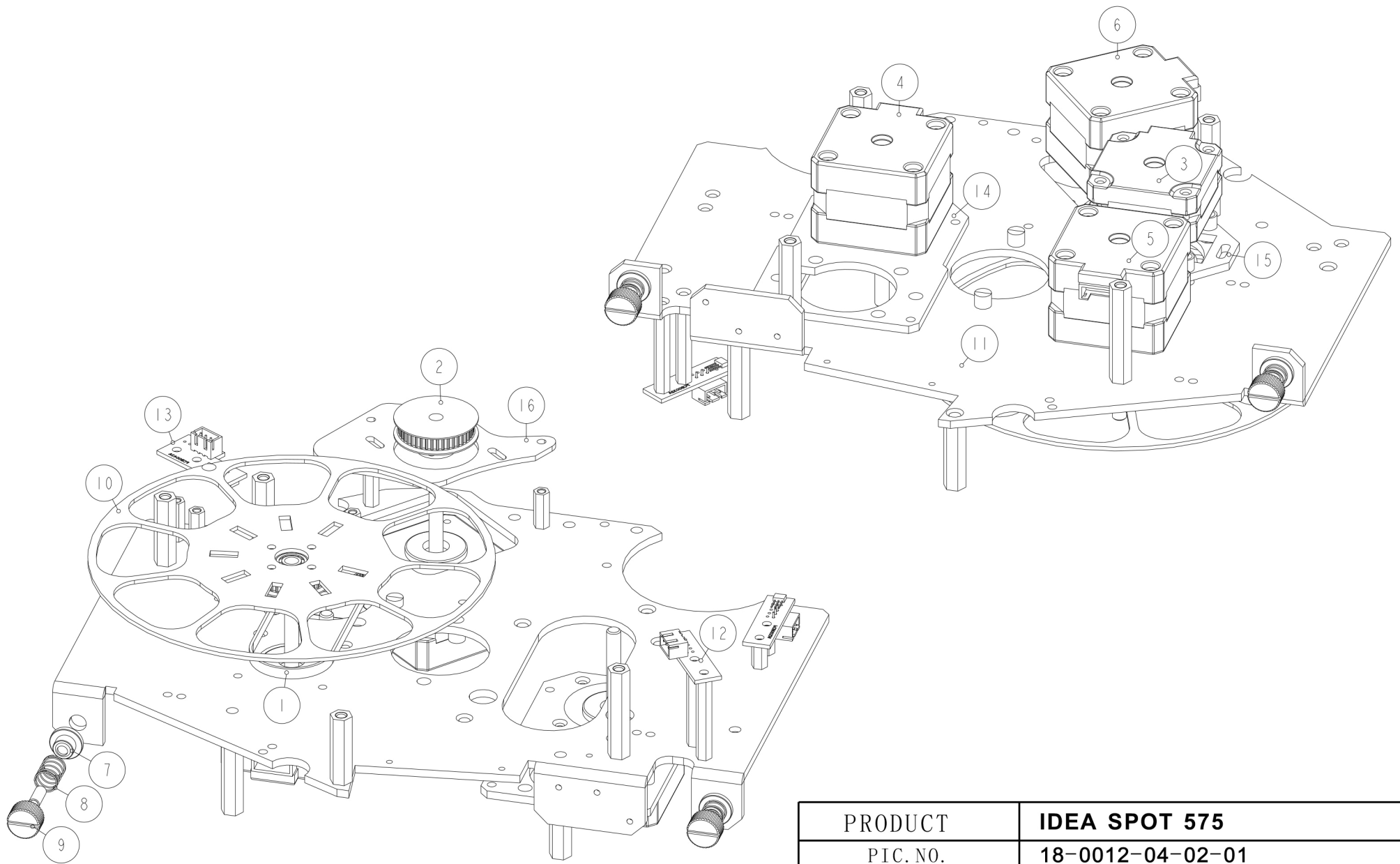
PRODUCT		IDEA SPOT 575			
PIC. NO.		18-0012-04-01-02			
EDIT		FILE NO.	GS-EXP-267A	PAGE NO.	15/30
CHECK		VERSION	NR	DATE	2007. 10. 10
APPROVE		ECN NO.		DATE	



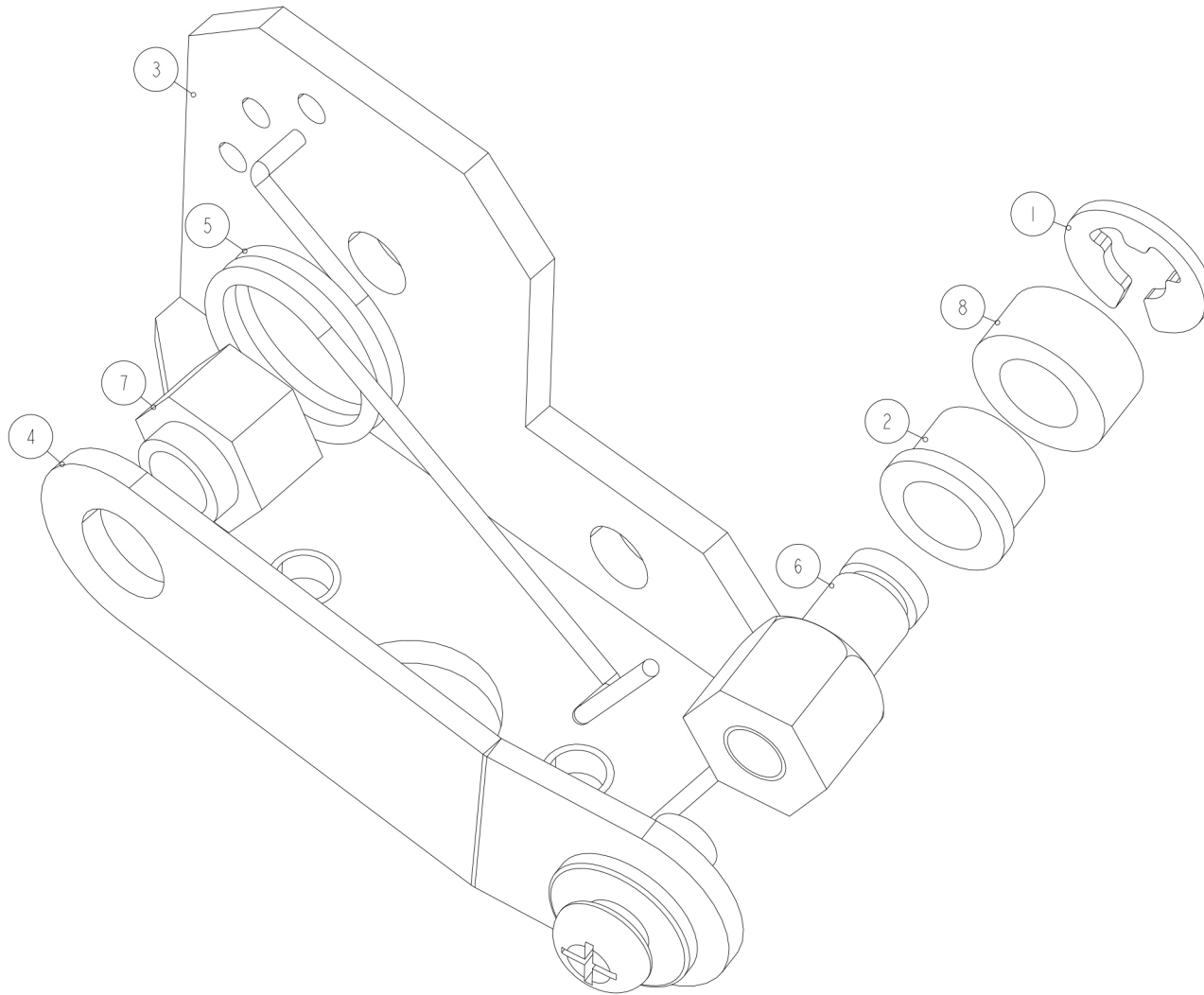
PRODUCT		IDEA SPOT 575			
PIC. NO.		18-0012-04-01-03			
EDIT		FILE NO.	GS-EXP-267A	PAGE NO.	16/30
CHECK		VERSION	NR	DATE	2007. 10. 10
APPROVE		ECN NO.		DATE	



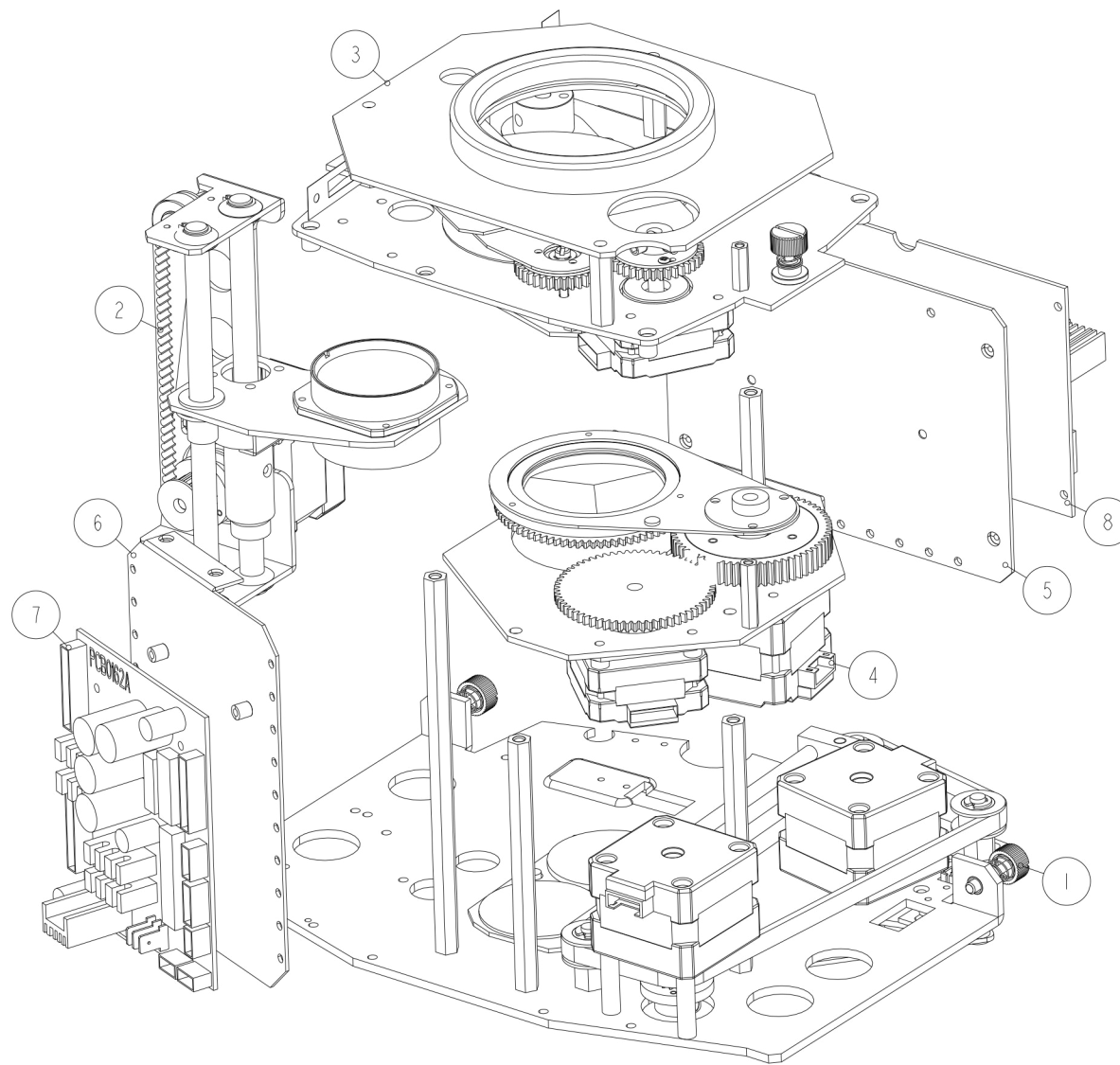
PRODUCT		IDEA SPOT 575			
PIC. NO.		18-0012-04-02-00			
EDIT		FILE NO.	GS-EXP-267A	PAGE NO.	17/30
CHECK		VERSION	NR	DATE	2007. 10. 10
APPROVE		ECN NO.		DATE	



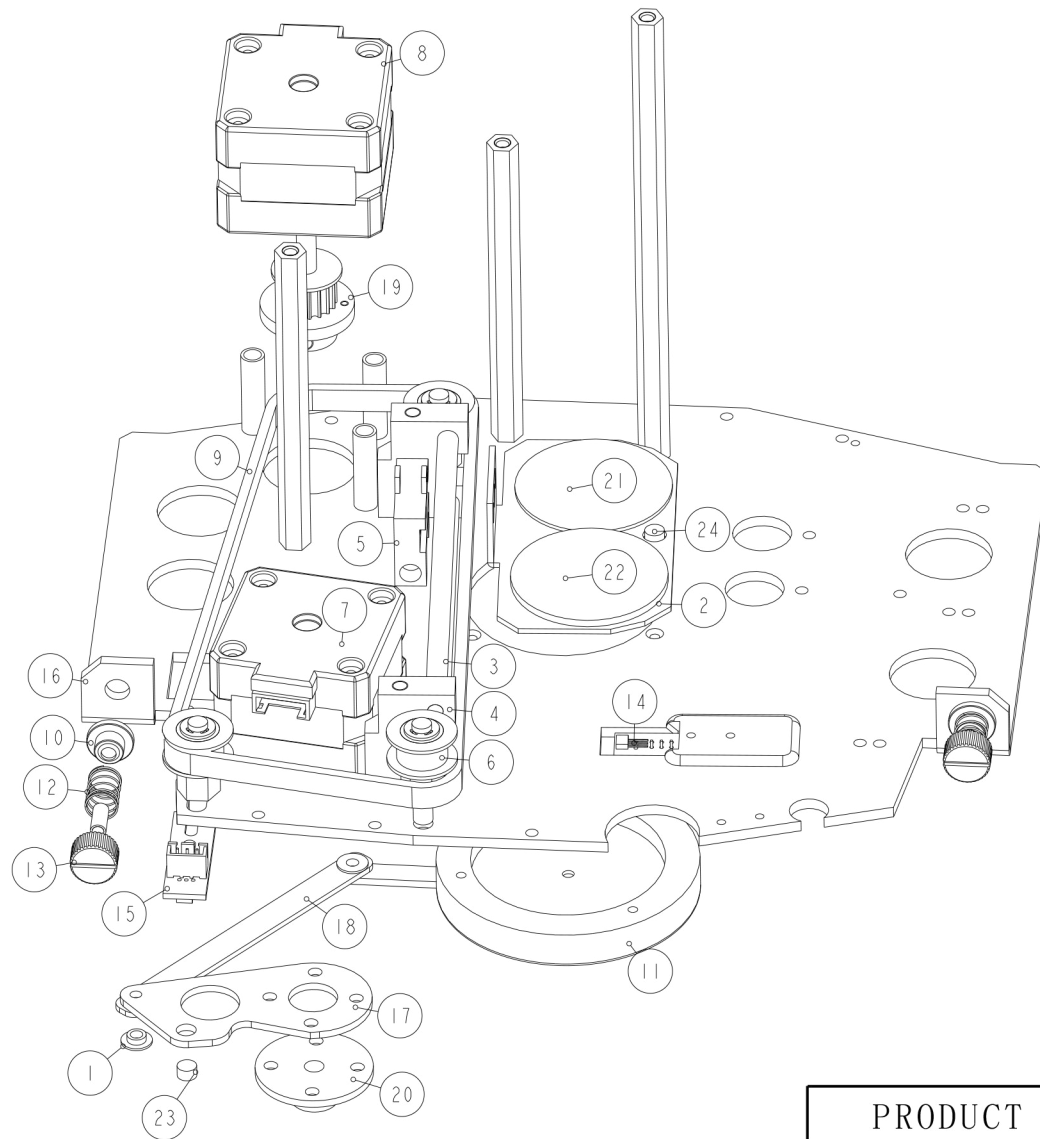
PRODUCT		IDEA SPOT 575			
PIC. NO.		18-0012-04-02-01			
EDIT		FILE NO.	GS-EXP-267A	PAGE NO.	18/30
CHECK		VERSION	NR	DATE	2007. 10. 10
APPROVE		ECN NO.		DATE	



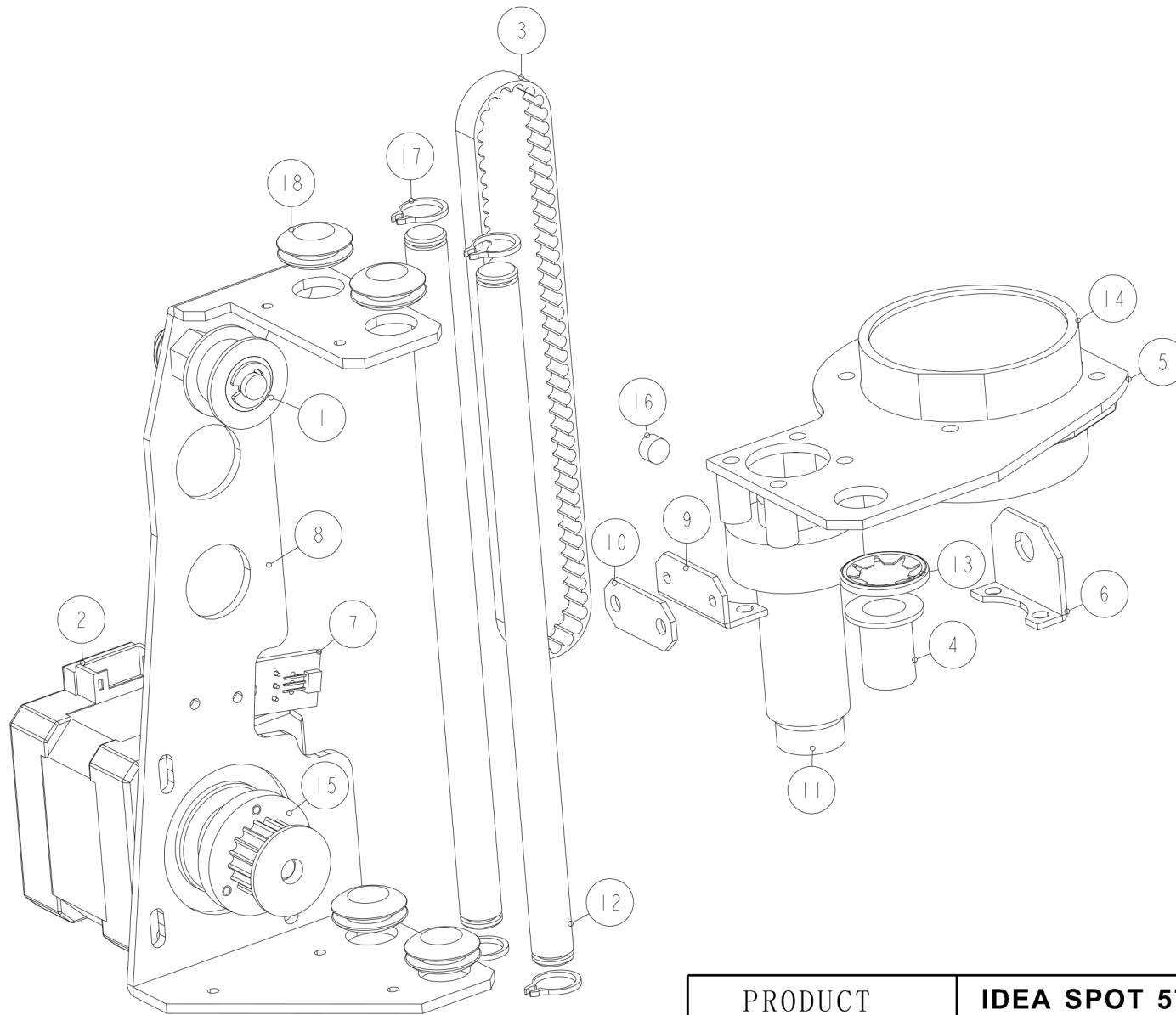
PRODUCT		IDEA SPOT 575			
PIC. NO.		NX250-03-20_A00			
EDIT		FILE NO.	GS-EXP-267A	PAGE NO.	19/30
CHECK		VERSION	NR	DATE	2007. 10. 10
APPROVE		ECN NO.		DATE	



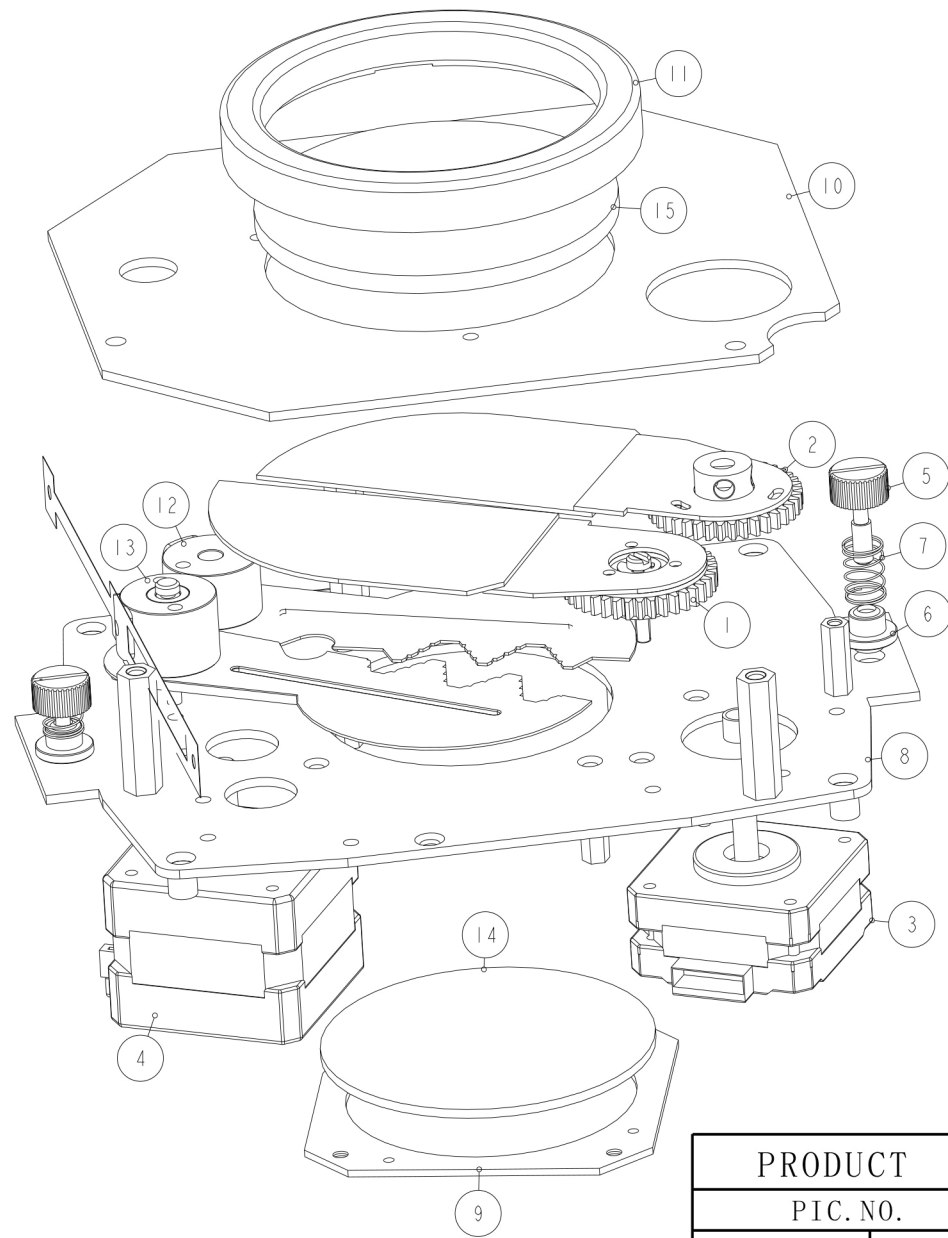
PRODUCT		IDEA SPOT 575			
PIC. NO.		18-0012-04-03-00			
EDIT		FILE NO.	GS-EXP-267A	PAGE NO.	20/30
CHECK		VERSION	NR	DATE	2007. 10. 10
APPROVE		ECN NO.		DATE	



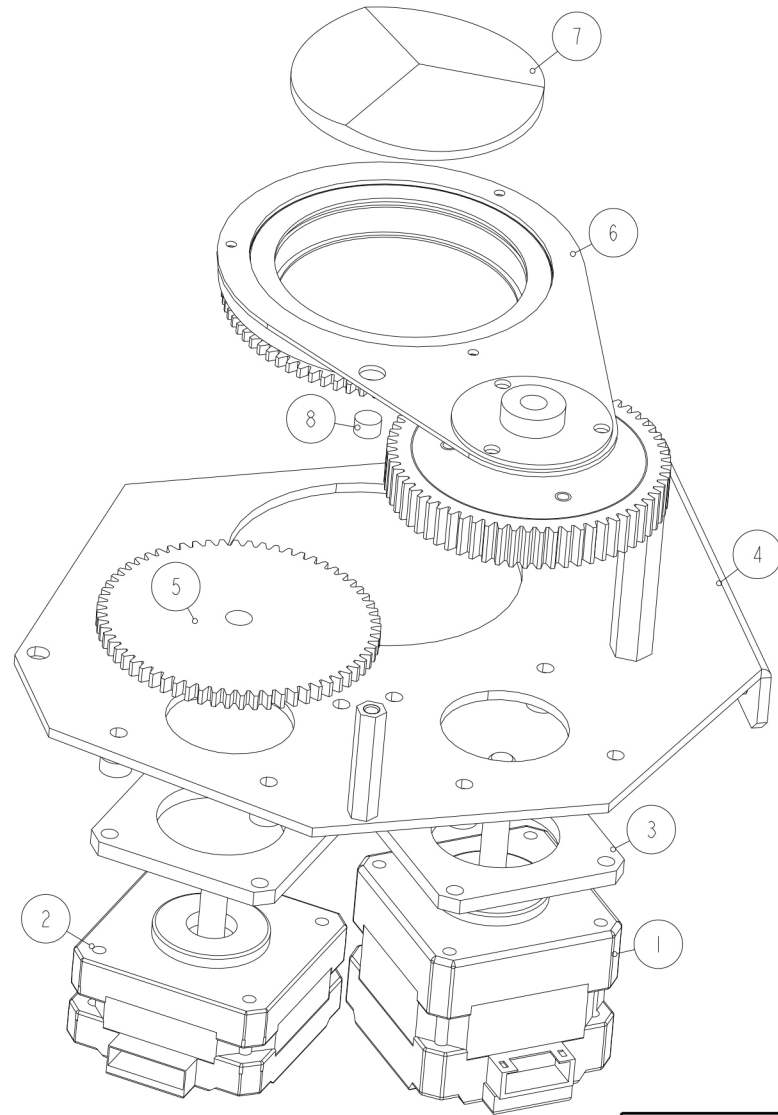
PRODUCT		IDEA SPOT 575			
PIC. NO.		18-0012-04-03-01			
EDIT		FILE NO.	GS-EXP-267A	PAGE NO.	21/30
CHECK		VERSION	NR	DATE	2007. 10. 10
APPROVE		ECN NO.		DATE	



PRODUCT		IDEA SPOT 575			
PIC. NO.		18-0012-04-03-02			
EDIT		FILE NO.	GS-EXP-267A	PAGE NO.	22/30
CHECK		VERSION	NR	DATE	2007. 10. 10
APPROVE		ECN NO.		DATE	



PRODUCT		IDEA SPOT 575			
PIC. NO.		18-0012-04-03-03			
EDIT		FILE NO.	GS-EXP-267A	PAGE NO.	23/30
CHECK		VERSION	NR	DATE	2007. 10. 10
APPROVE		ECN NO.		DATE	



PRODUCT		IDEA SPOT 575			
PIC. NO.		V575A-03-5-05_B00			
EDIT		FILE NO.	GS-EXP-267A	PAGE NO.	24/30
CHECK		VERSION	NR	DATE	2007. 10. 10
APPROVE		ECN NO.		DATE	